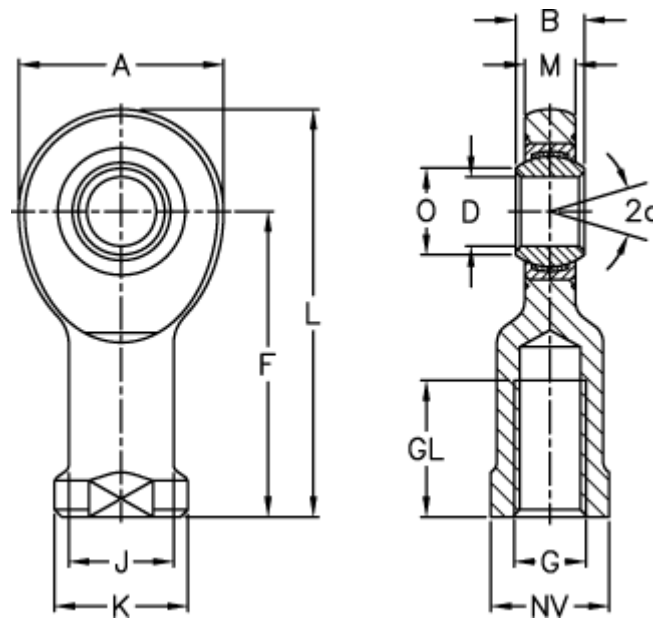


Article number: 03465040
 Description: Fluro Rod end EI 40D-2RS
 Note: 40

Measures



| | | | |
|--------------------|---------|-----------------|--------|
| A | = 92 | J | = 52 |
| a (degrees) | = 7 | K | = 65 |
| B | = 28 | L | = 188 |
| D | = 40 | M | = 23 |
| Dynamic drive (kN) | = 185 | NV | = 55 |
| F | = 142 | O | = 45 |
| g | = M39x3 | Static drive kN | = 178 |
| GL | = 65 | Weight | = 2000 |